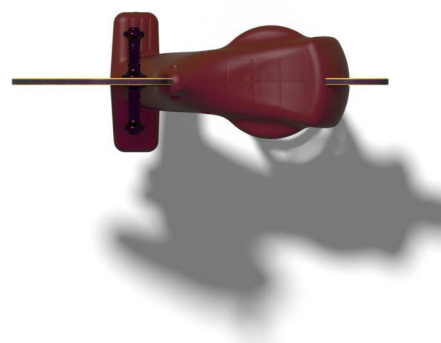
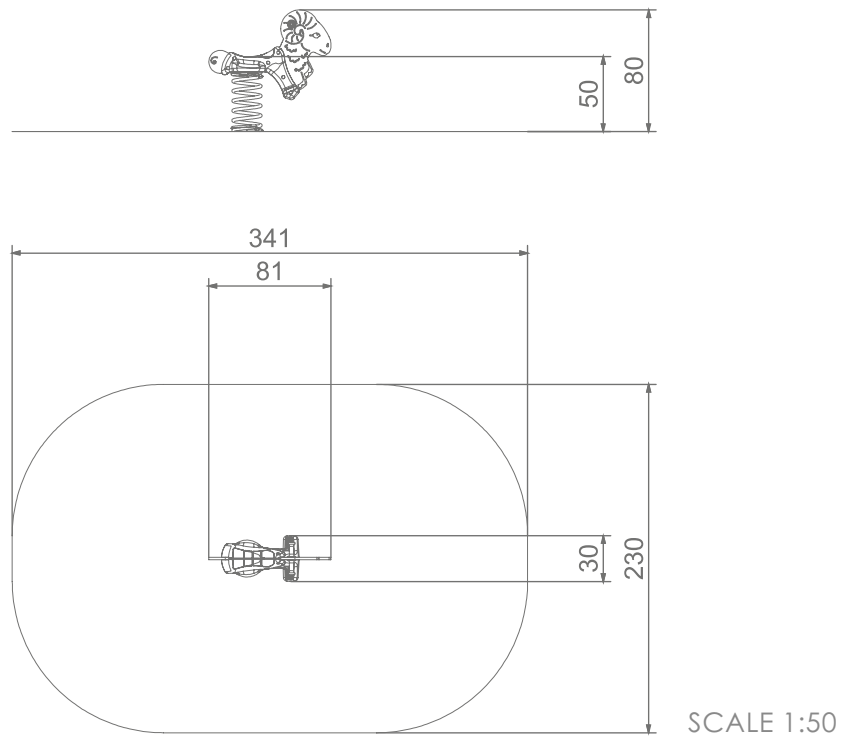




INFORMATION ABOUT THE PRODUCT

Dimensions	81 x 30 cm
Safety zone	341 x 230 cm
Safety zone area	6,99 m ²
Overall height	80 cm
Free fall height	50 cm
Amount of users	1
Product complies with PN-EN 1176-1:2017-12	YES
Availability of spare parts	YES
Age range	1-12
According to PN-EN 1176-1:2017-12 norm, the product requires applying a safety surface according to the product's free fall height.	





MATERIALS:

HANDHOLD MADE OF INJECTION MOLDED POLYAMIDE

CONNECTING ELEMENTS LIKE SCREWS, NUTS, WASHERS MADE OF STAINLESS STEEL



PLATES OF THE WALLS MADE OF COLOURFUL TRIPLE LAYERED 1.5 MM HDPE POLYETHYLENE

SPRINGERS' SPRINGS MADE OF SPRING STEEL

